

CPU&FPU



File: CPU+FPU.kicad_sch

ROM & RAM Muxes



File: ROM+RAM Muxes.kicad_sch

GLUE & RAM SIMMs



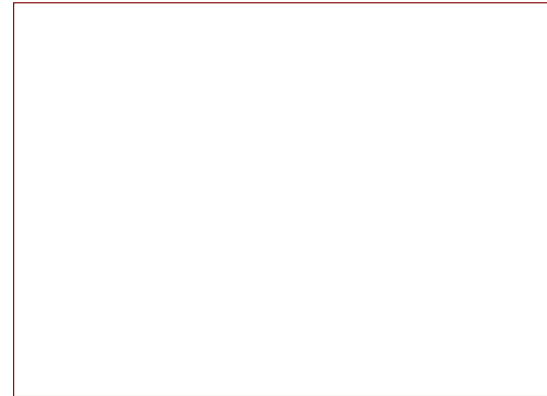
File: GLUE+RAM SIMMs.kicad_sch

VIA1, VIA2, RTC & ADB



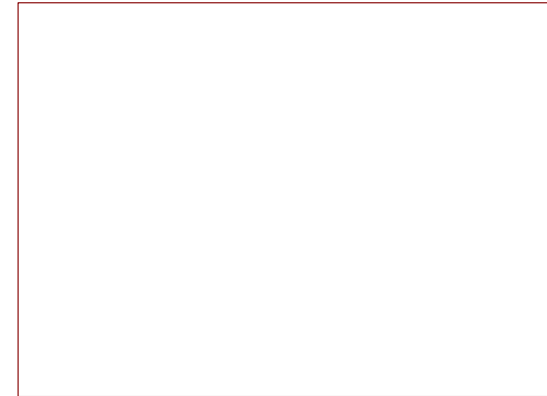
File: VIA1+VIA2+RTC+ADB.kicad_sch

Video Interface



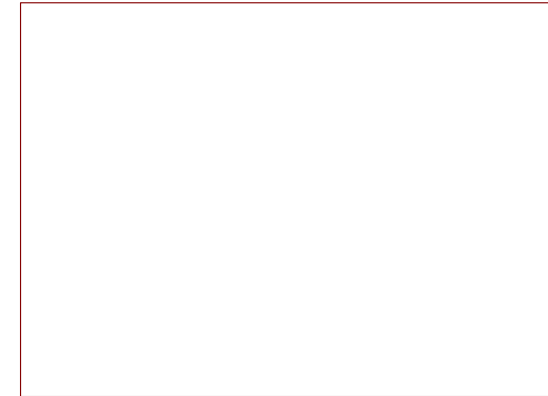
File: Video Interface.kicad_sch

SWIM & SCSI Interface



File: SWIM+SCSI Interface.kicad_sch

Serial Interface & Sound Interface



File: Serial Interface + Sound Interface.kicad_sch

Power Connector, Pullups & Pulldowns



File: Power Connector + Pullups + Pulldowns.kicad_sch

Originally from <https://github.com/mishimasensei/macse30mlb/>
Simplified by James Wood - j-w.au

Sheet: /
File: Macintosh SE30 Main Logic Board.kicad_sch

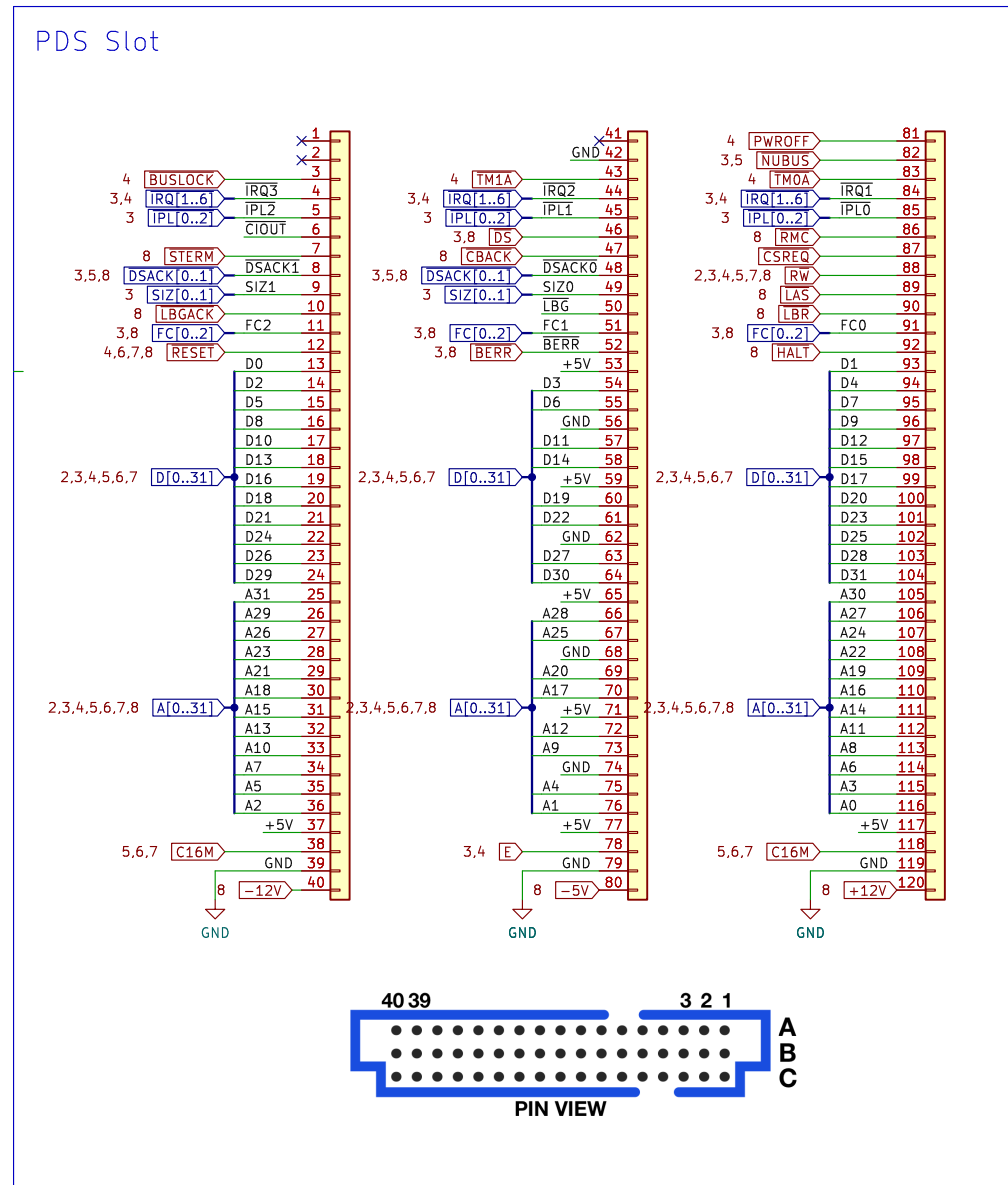
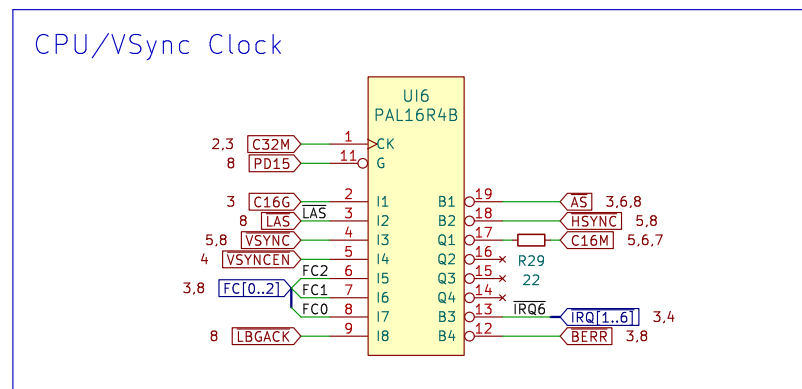
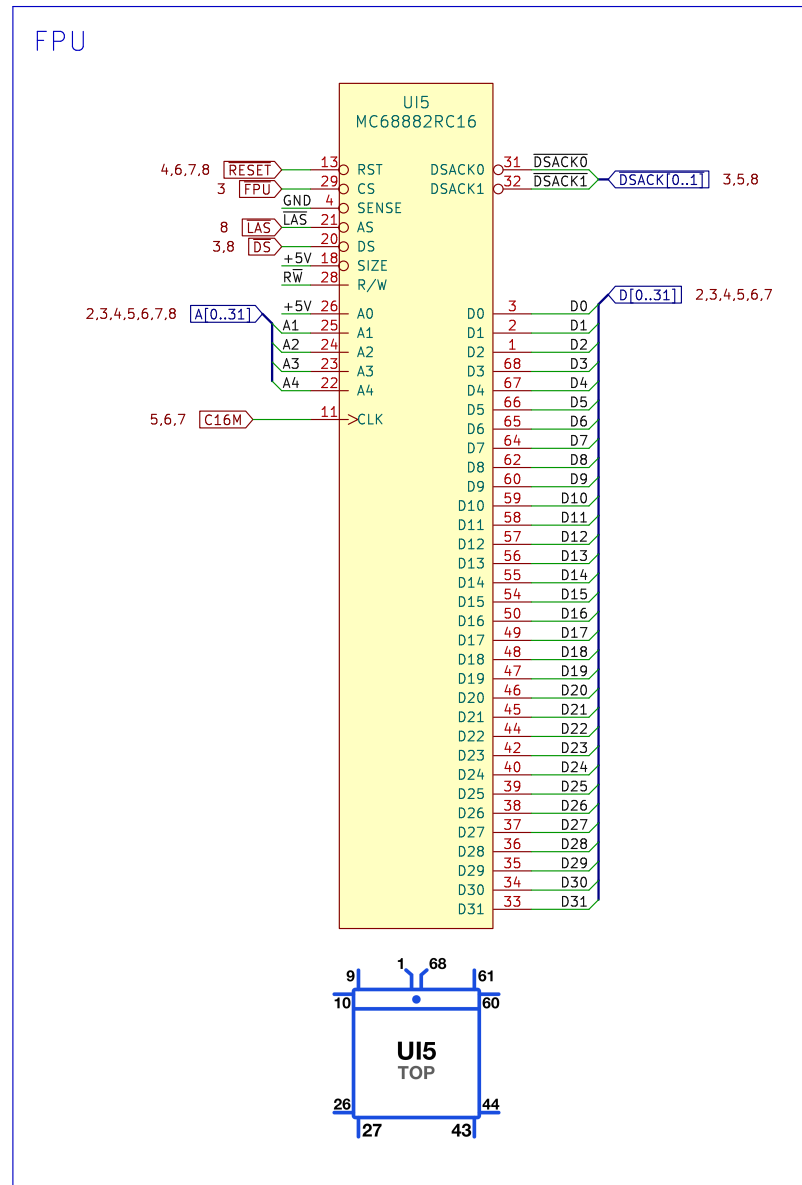
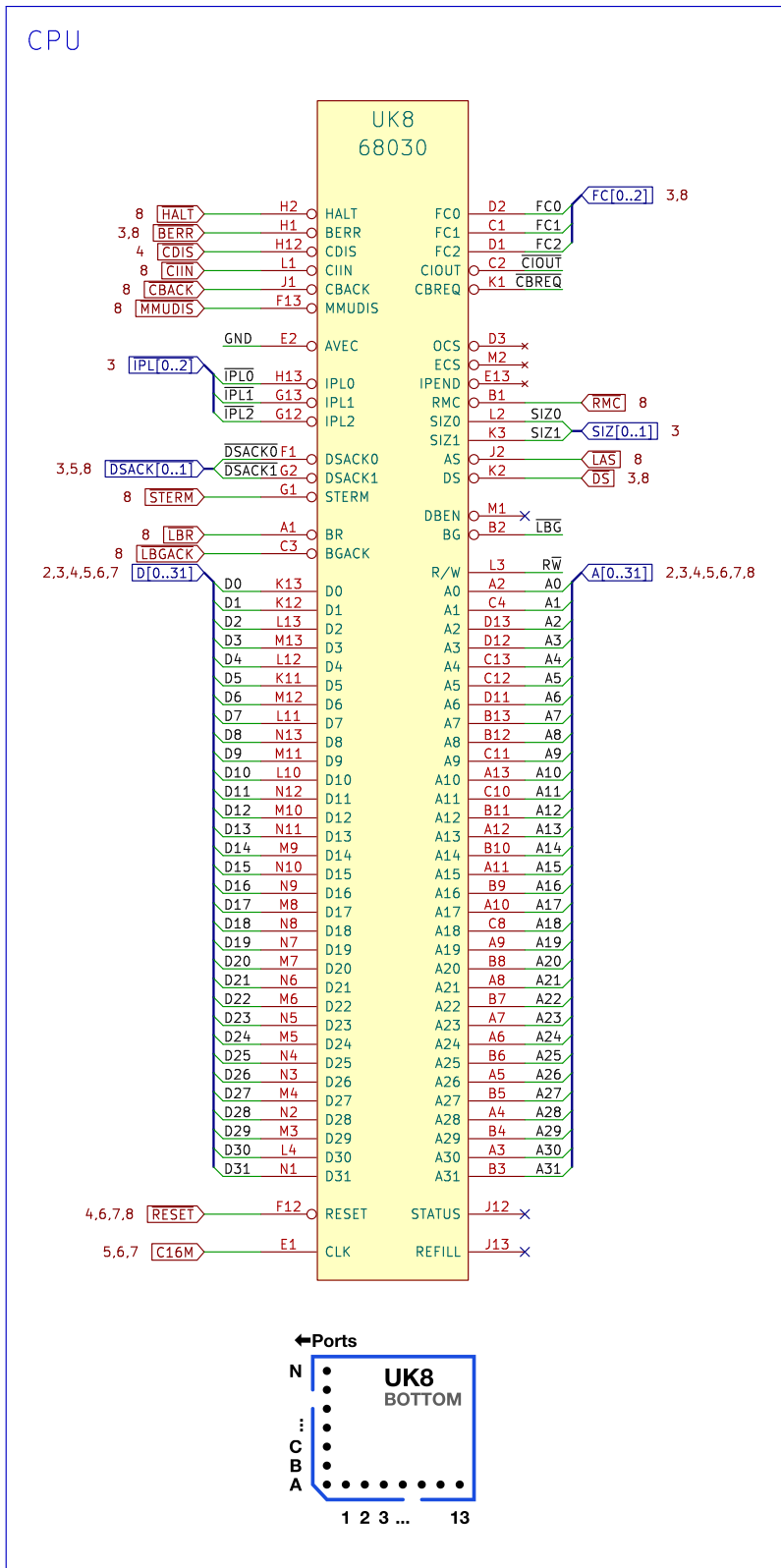
Title: ROM & RAM Address Muxes

Size: A3 Date: 2023-09-01
KiCad E.D.A. kicad 7.0.5-0

Rev: 6
Id: 0/9

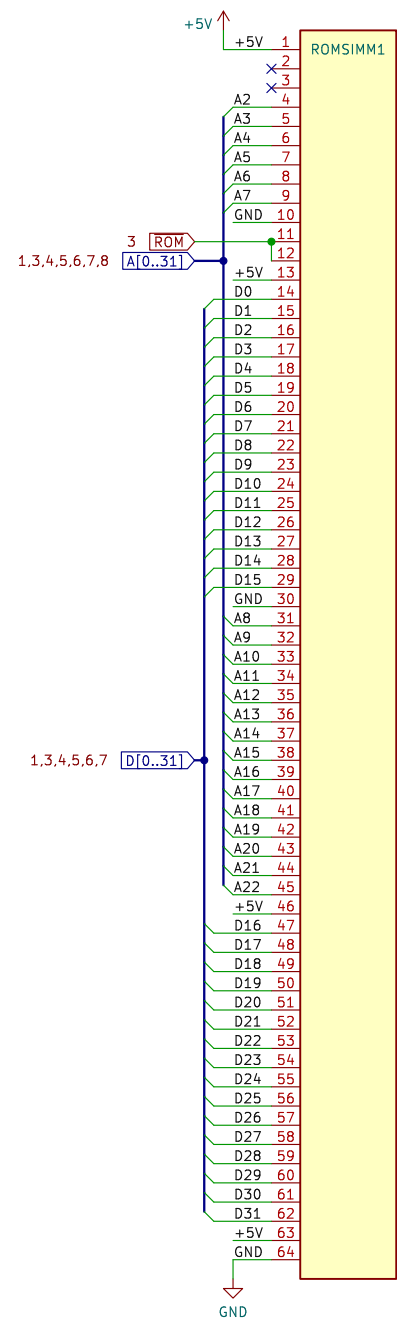
NOTE: Unless otherwise specified

1. All resistance values are in ohms, +/- 5%, 1/8 watt.
2. All capacitance values are in microfarads.
3. Cold & hot ground are connected together at two locations, near the ADB connectors and at the sound circuit.

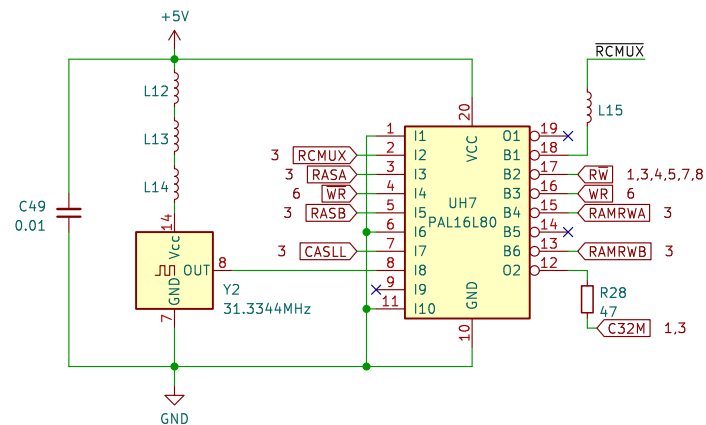


Originally from <https://github.com/mishimasensei/macse30mlb/>
 Simplified by James Wood - j-w.au
 Sheet: /CPU&FPU/
 File: CPU+FPU.kicad_sch

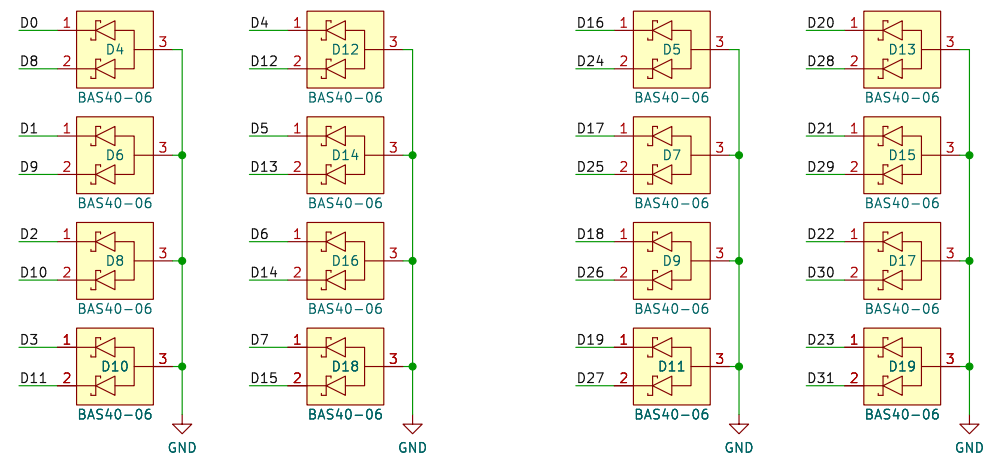
ROM



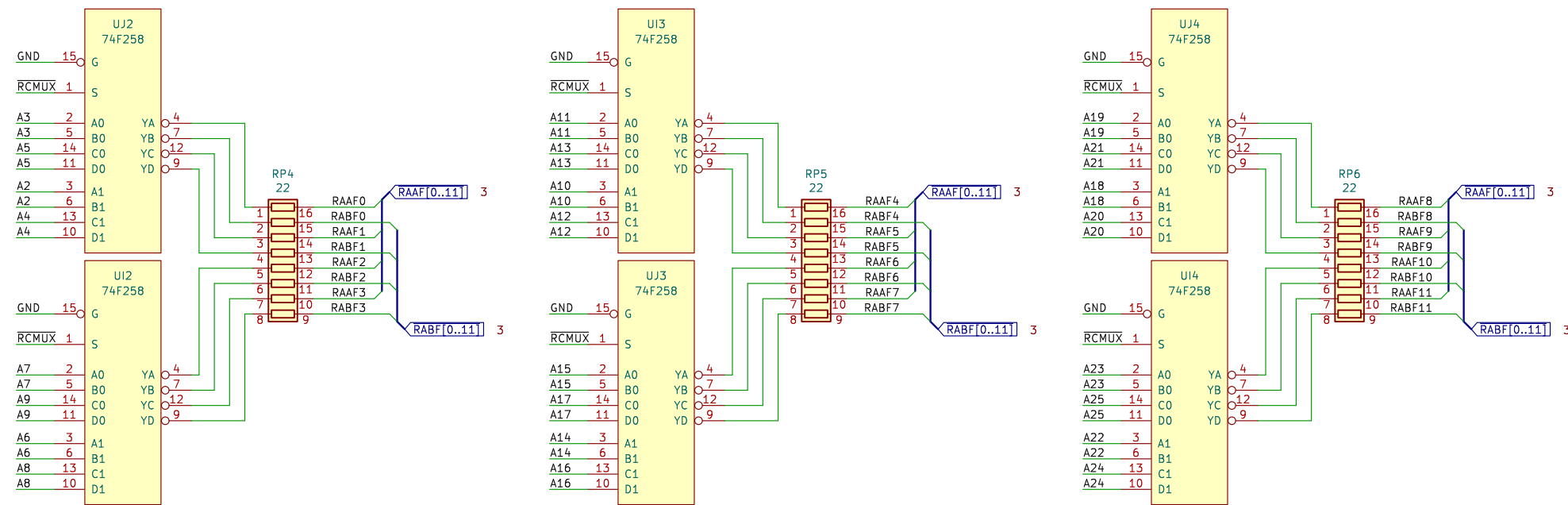
32MHz/RAM Clock



Data Bus Protection Diodes



RAM Address Multiplexers



Originally from <https://github.com/mishimasensei/macse30mlb/>

Simplified by James Wood - j-w.au

Sheet: /ROM & RAM Muxes/

File: ROM+RAM Muxes.kicad_sch

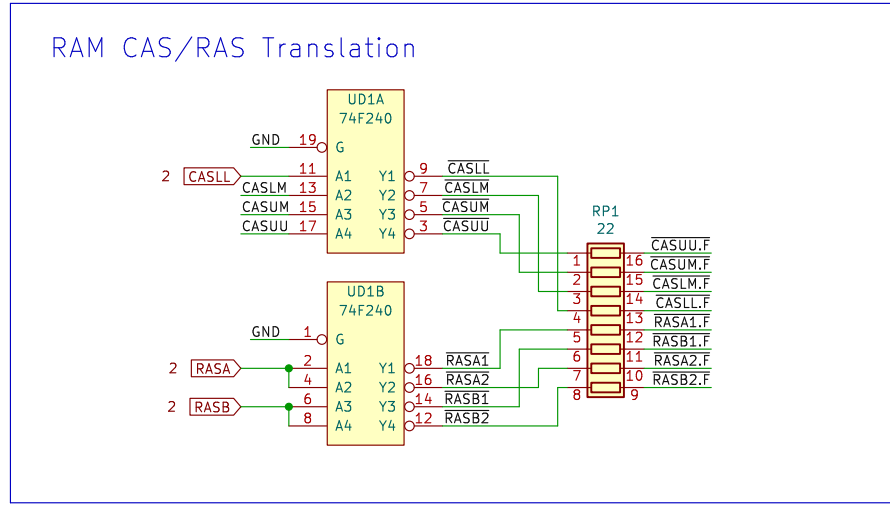
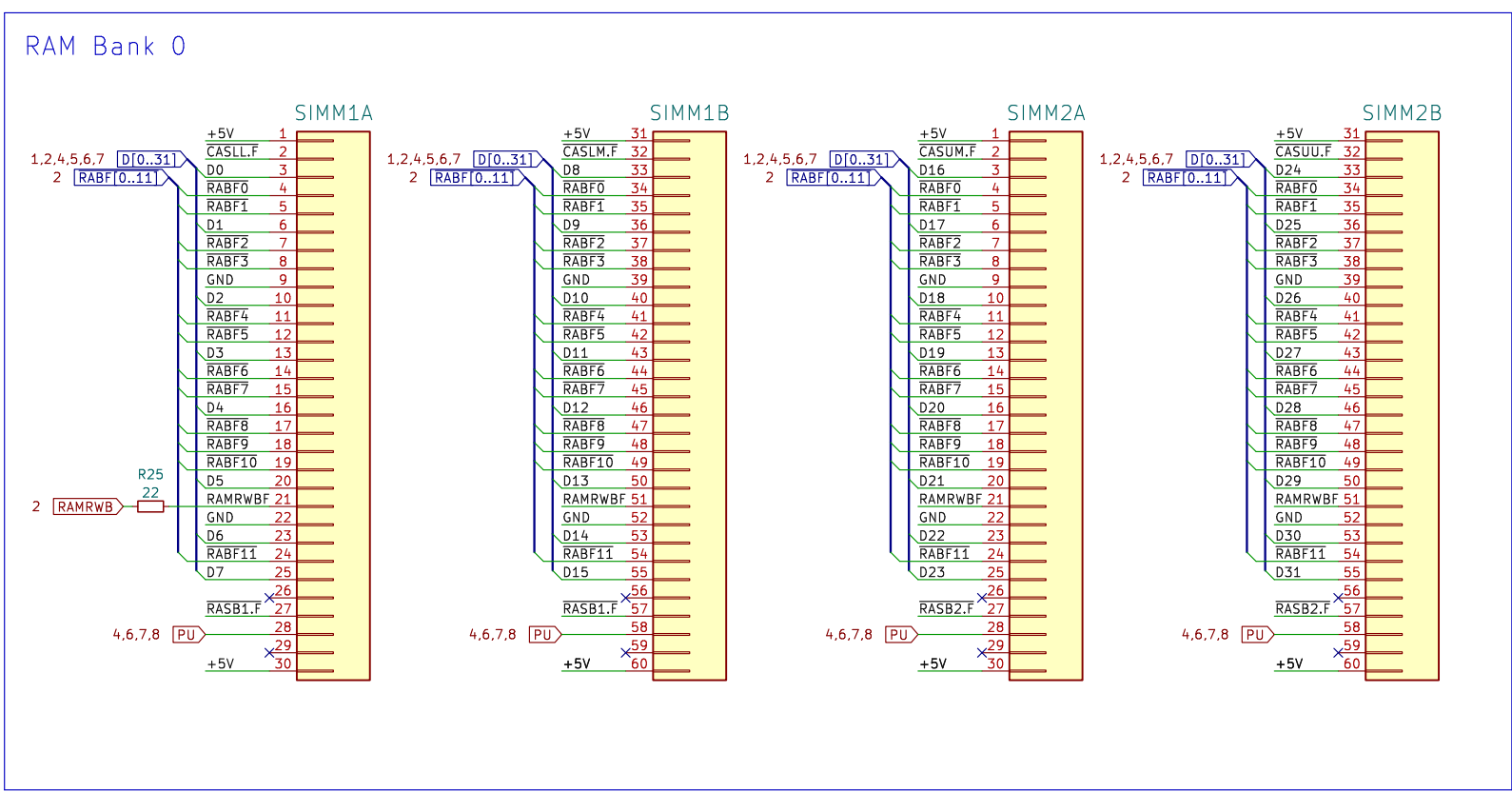
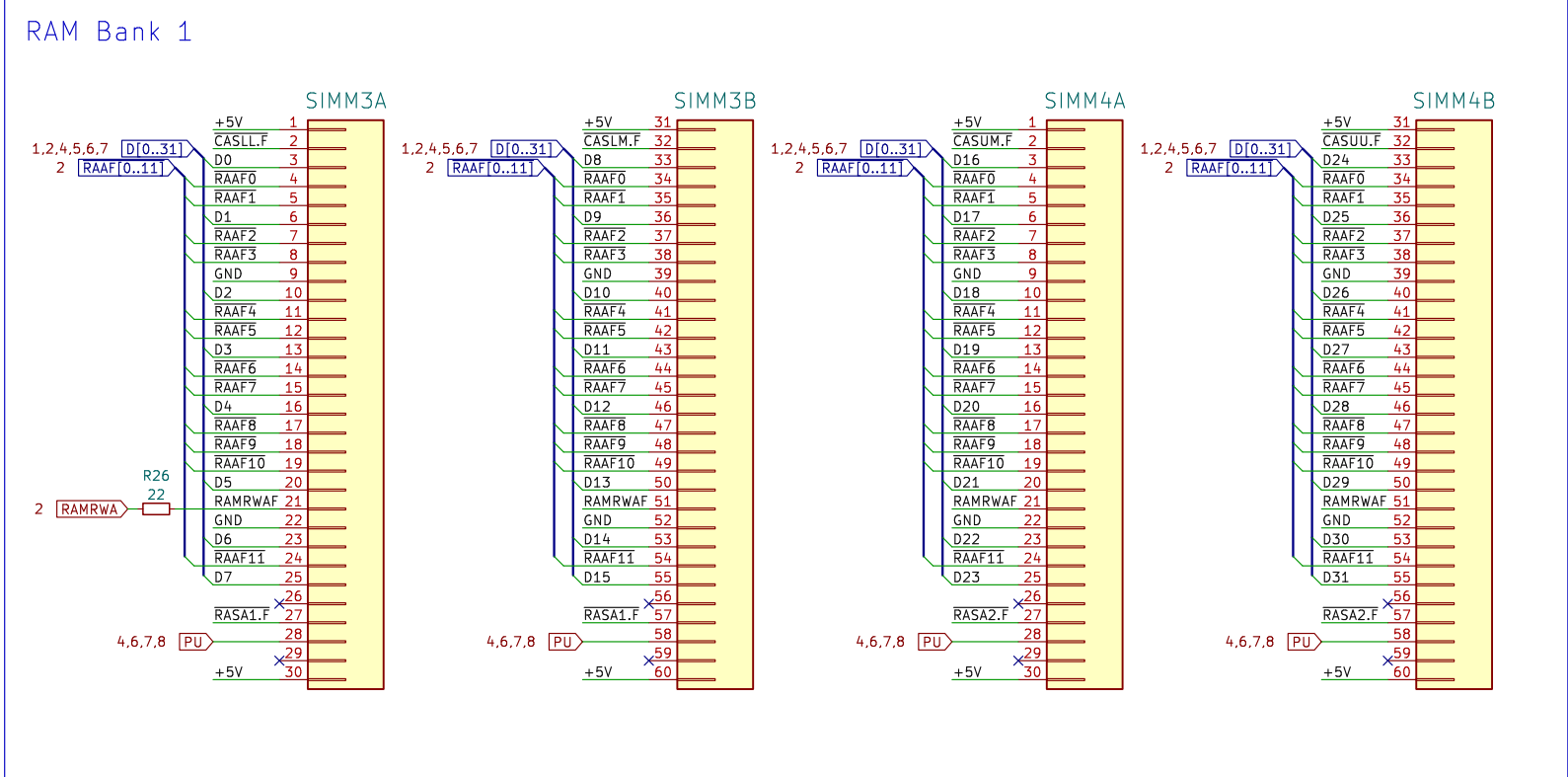
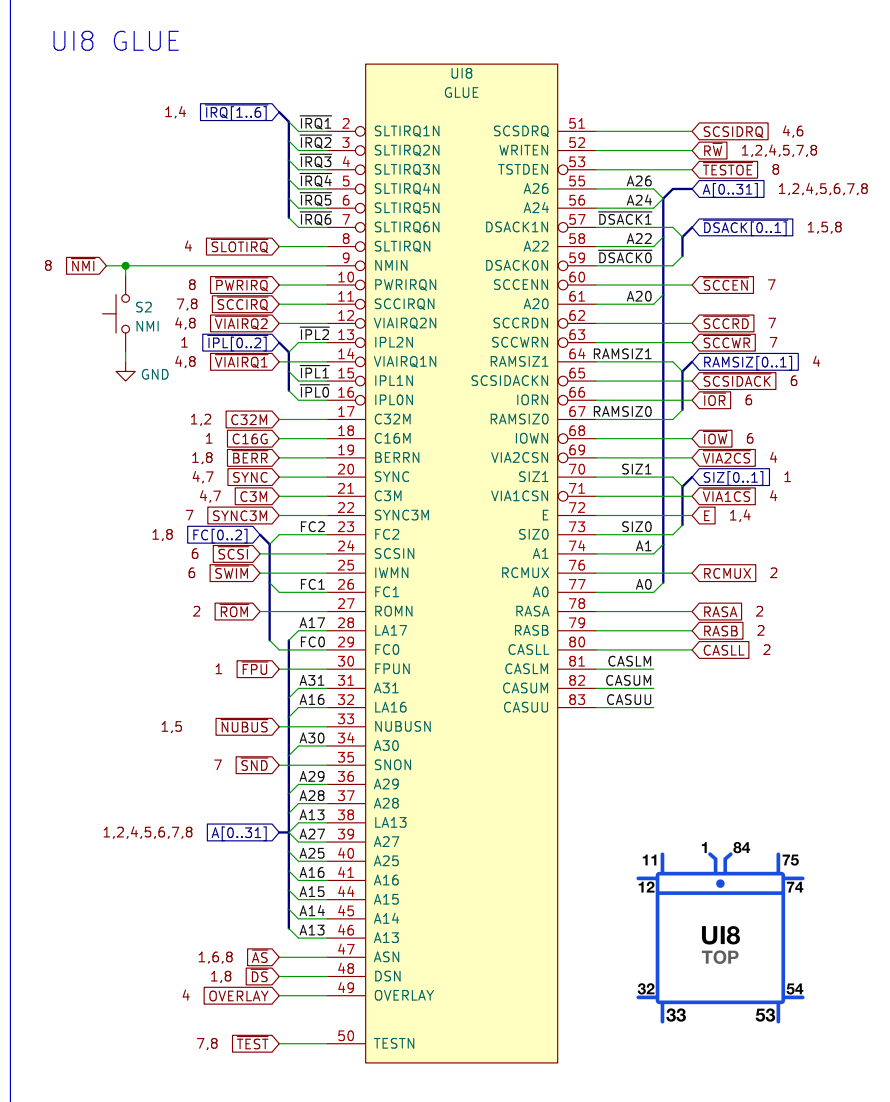
Title: ROM & RAM Address Muxes

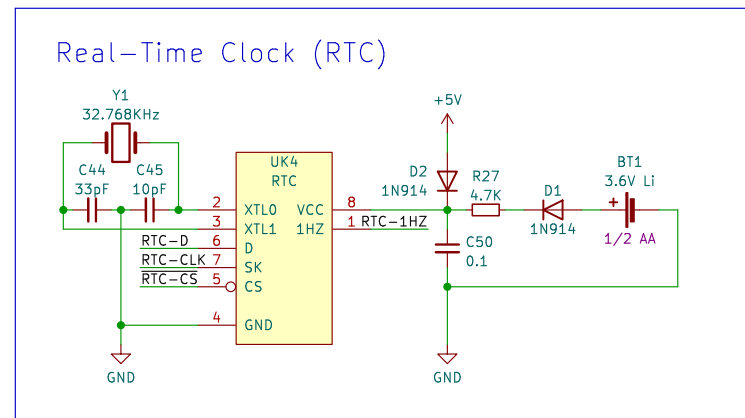
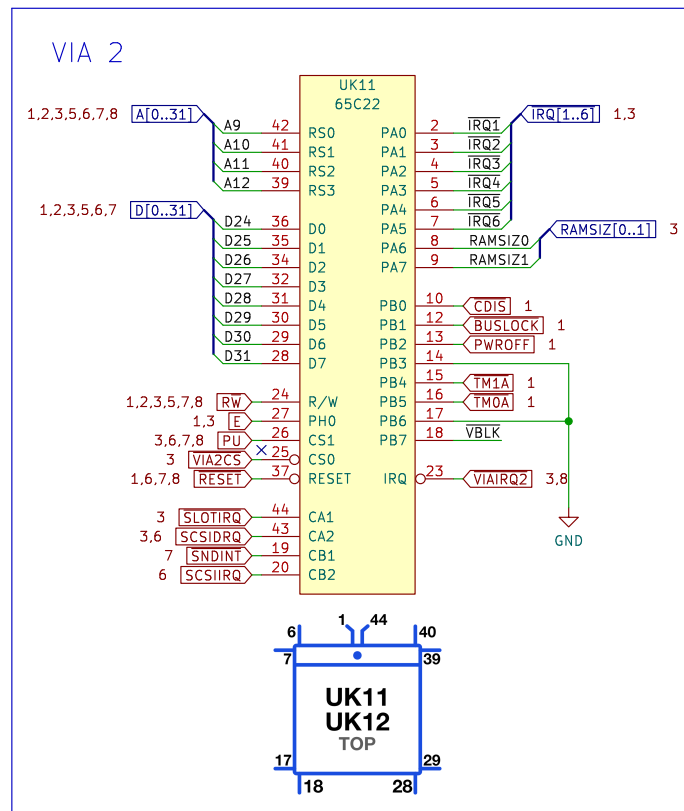
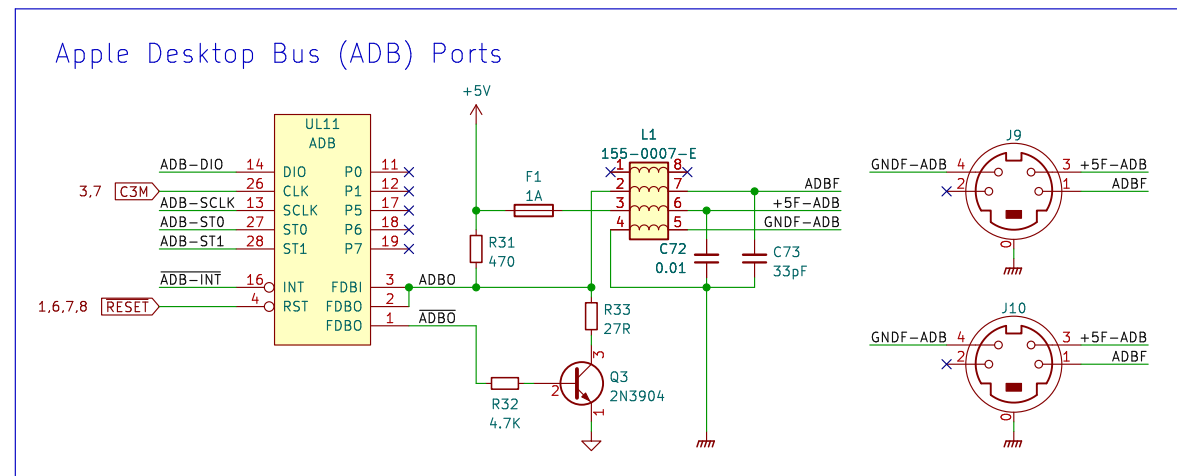
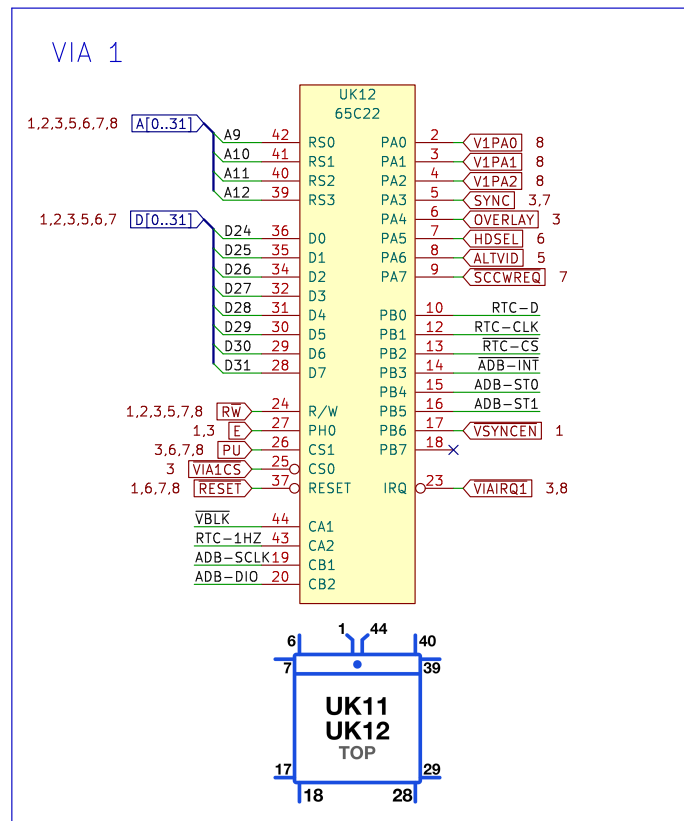
Size: A3 Date: 2023-09-01

Rev: 6

KiCad E.D.A. kicad 7.0.5-0

Id: 2/9



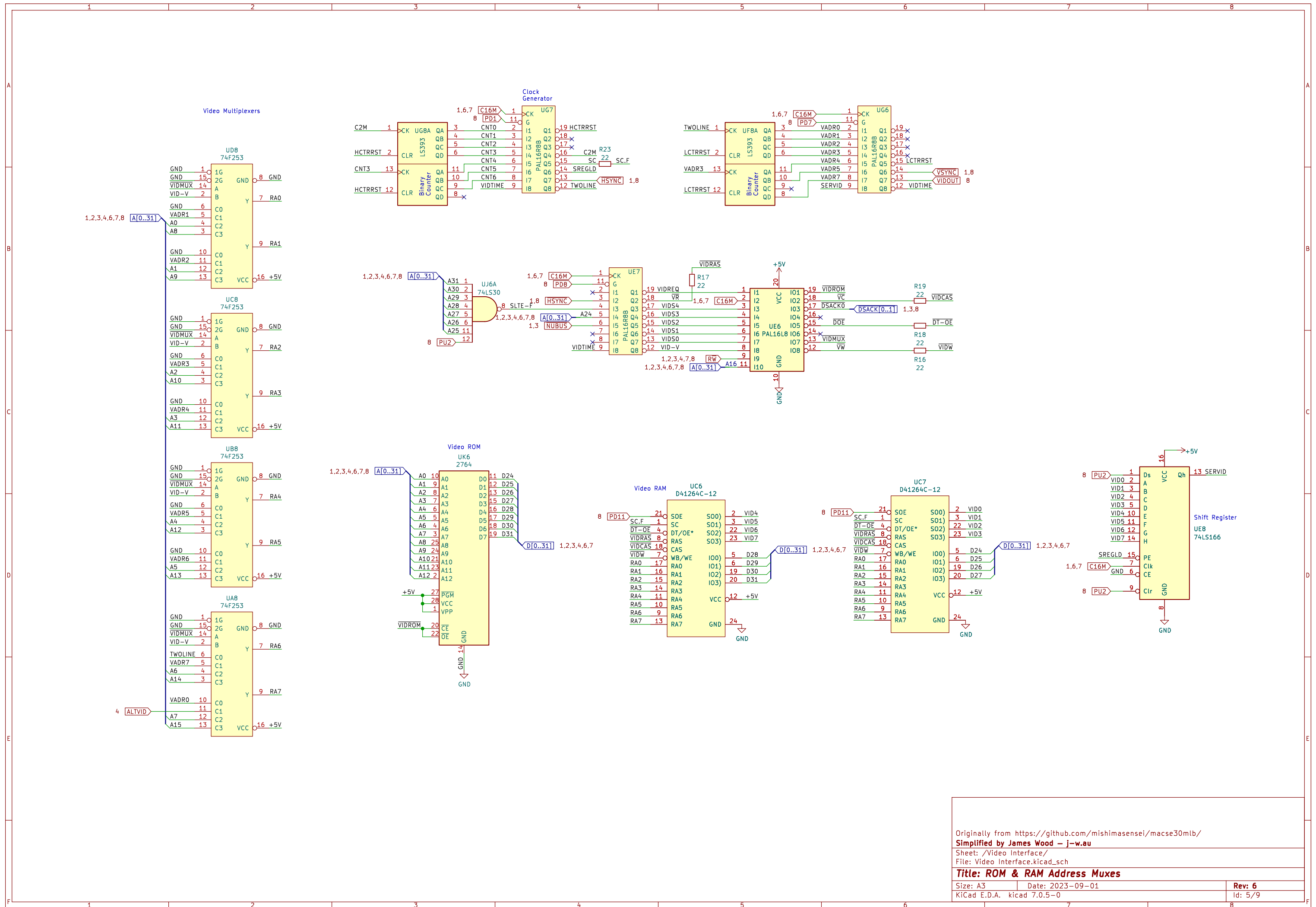


Originally from <https://github.com/mishimasensei/macse30mlb/>
 Simplified by James Wood - j-w.au
 Sheet: /VIA1, VIA2, RTC & ADB/
 File: VIA1+VIA2+RTC+ADB.kicad_sch

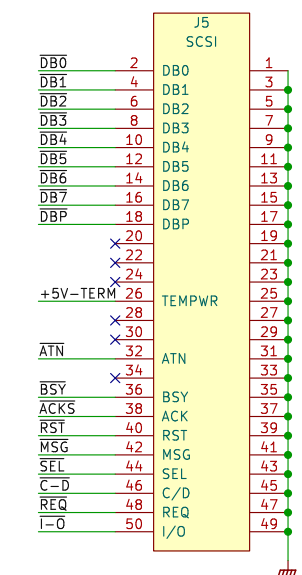
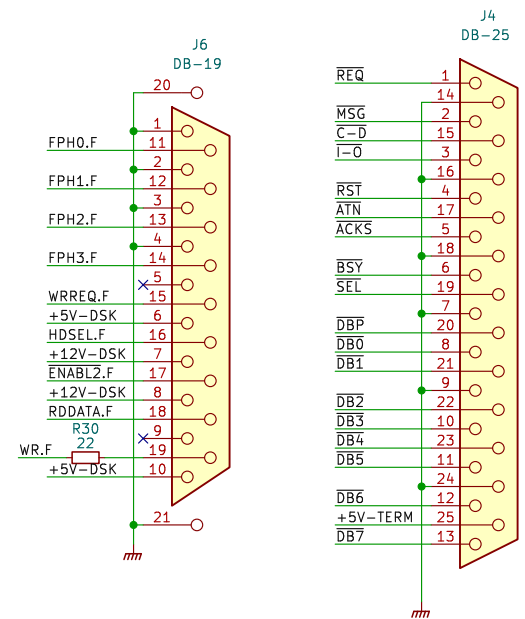
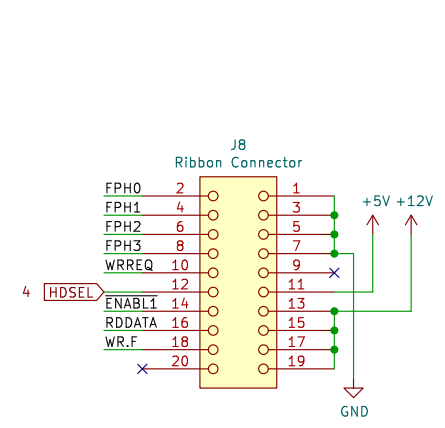
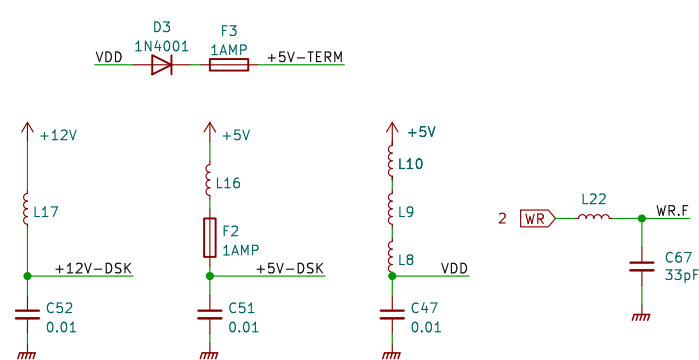
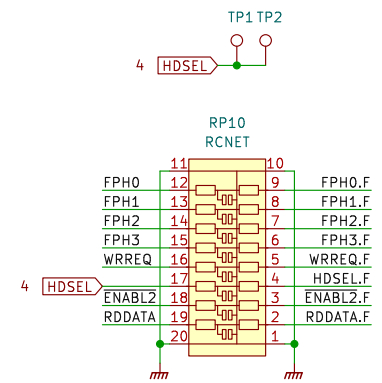
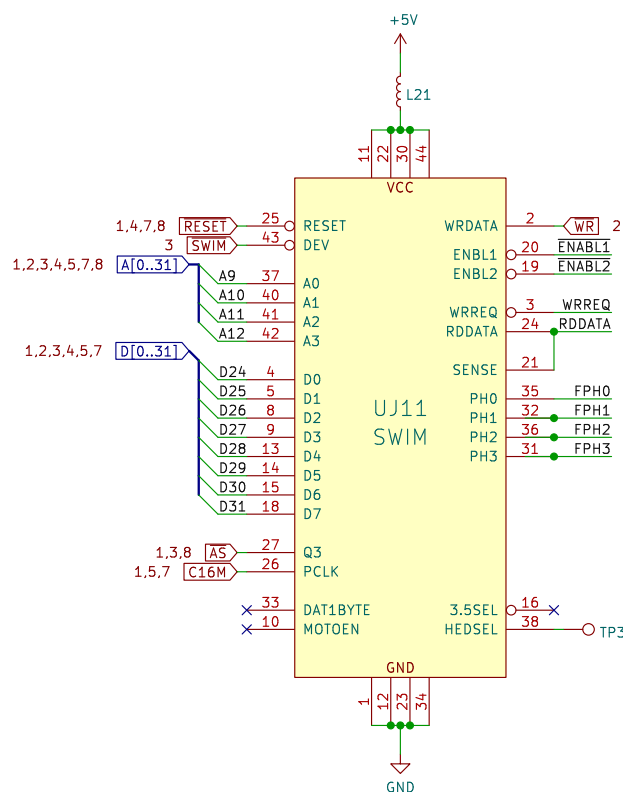
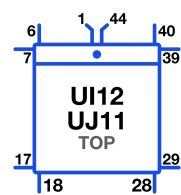
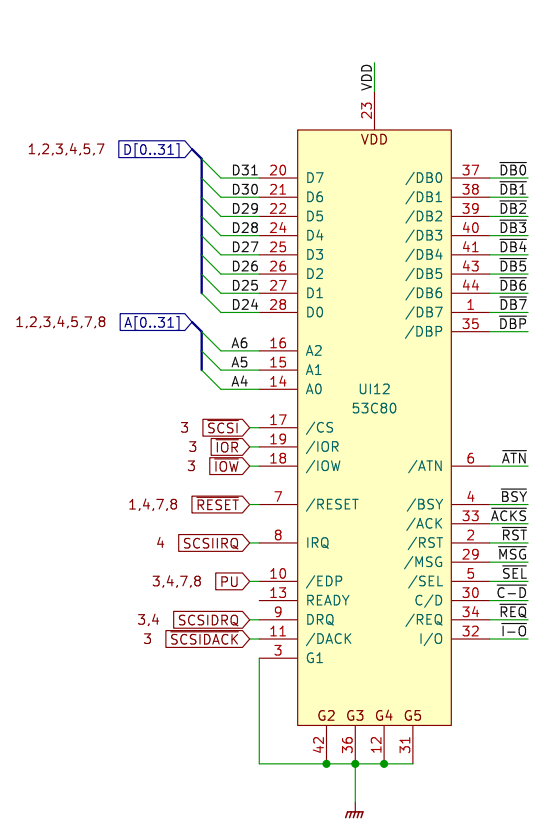
Title: ROM & RAM Address Muxes

Size: A3 Date: 2023-09-01
 KiCad E.D.A. kicad 7.0.5-0

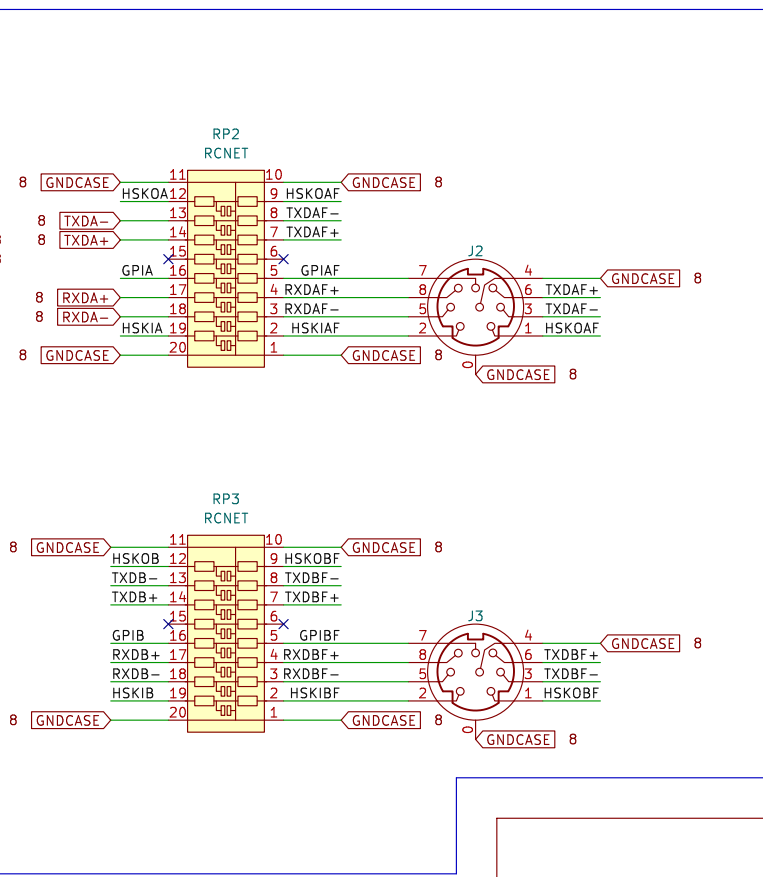
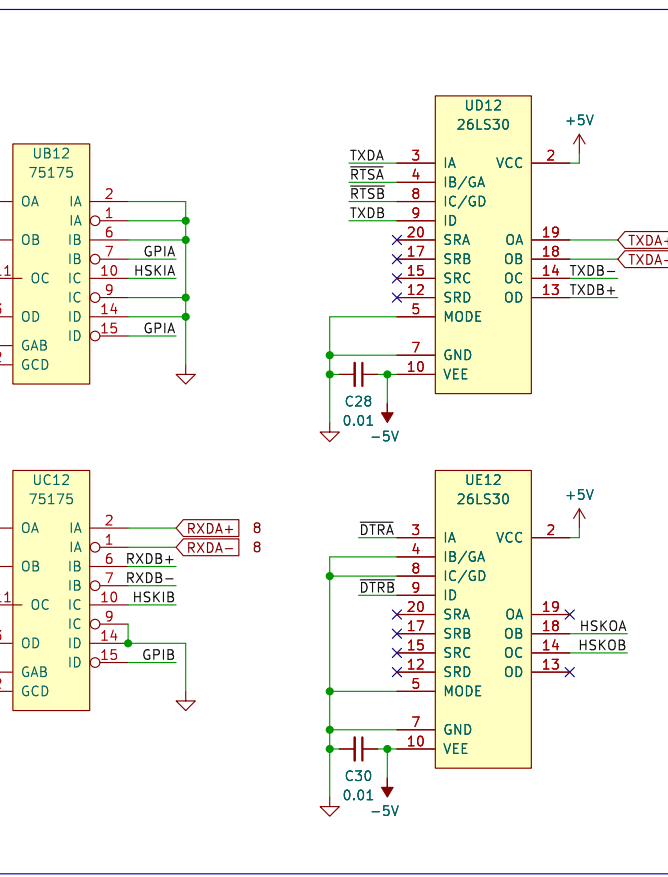
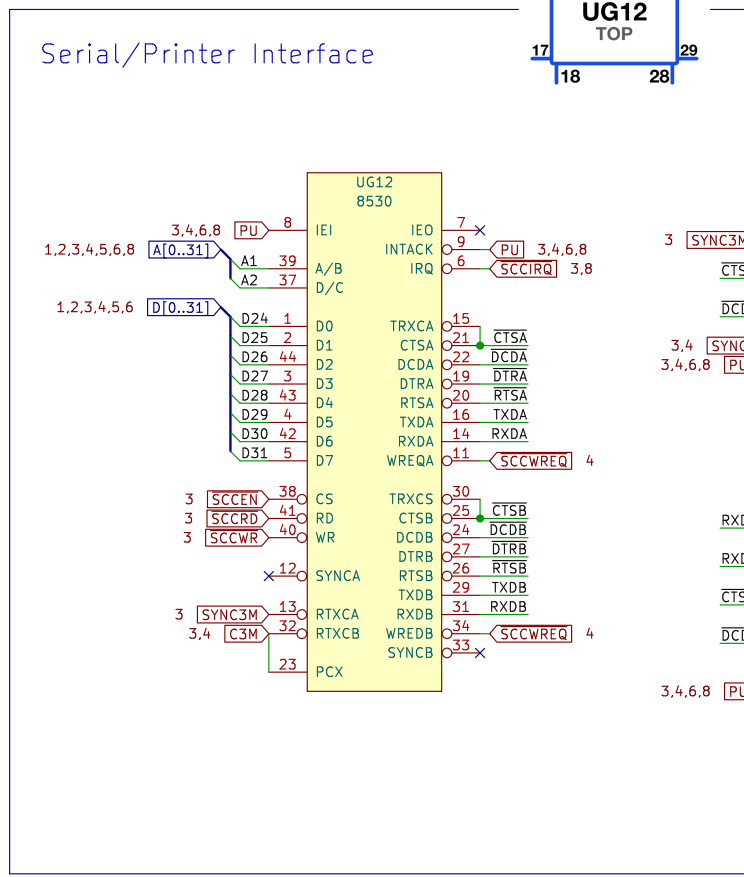
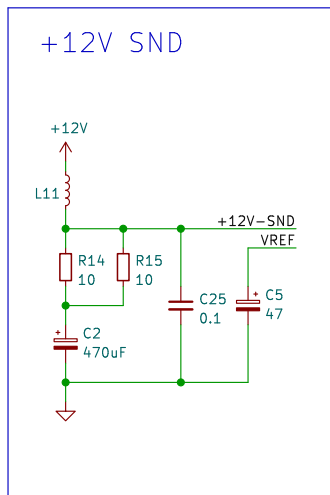
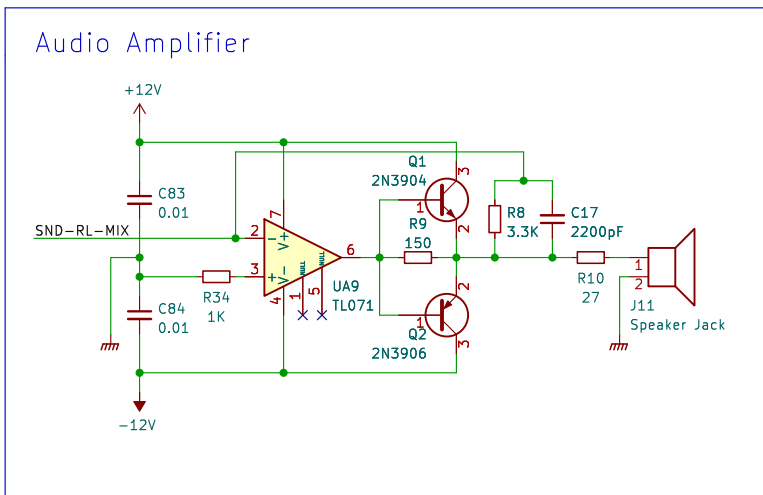
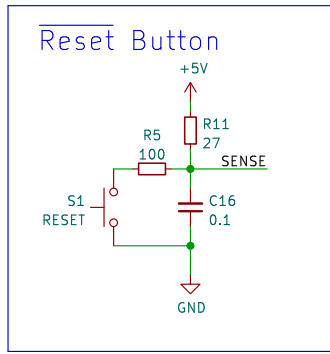
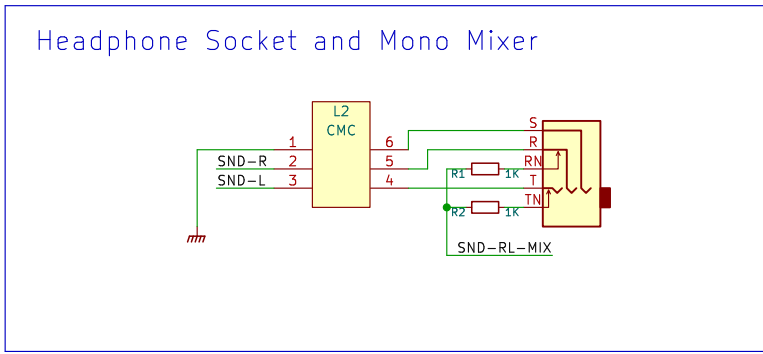
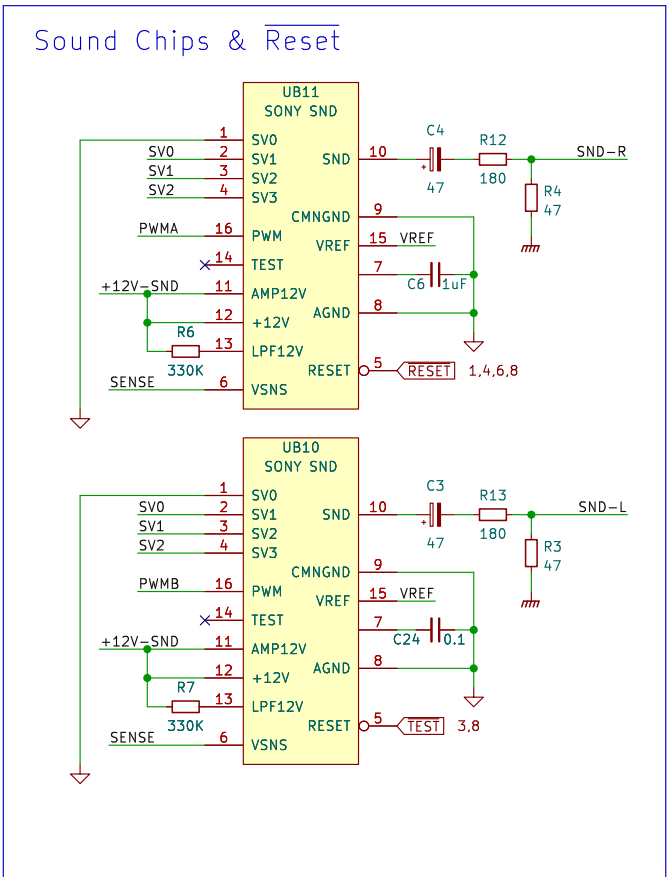
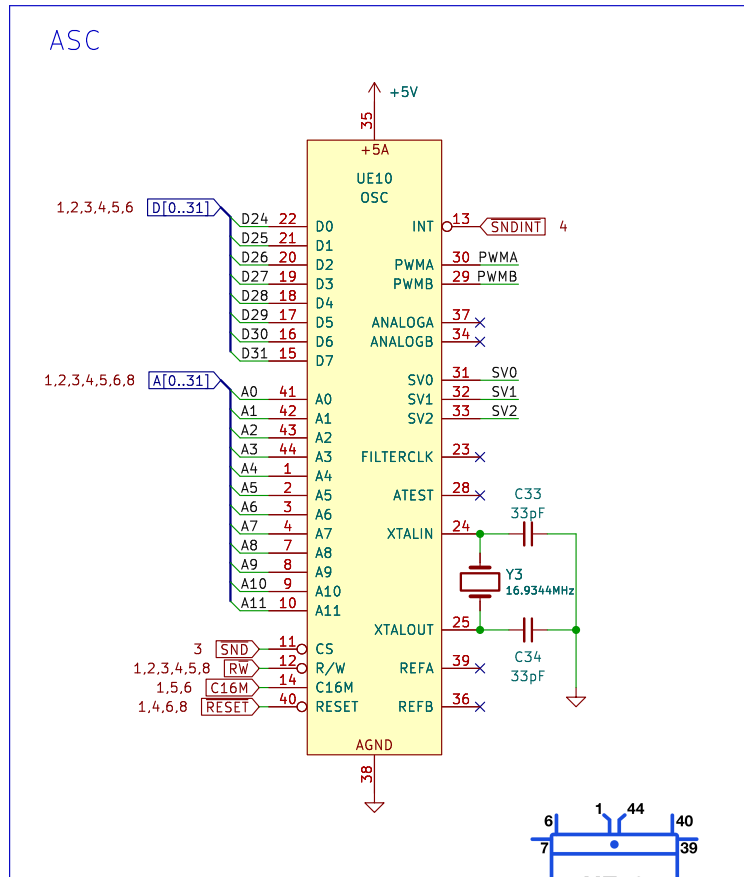
Rev: 6
 Id: 4/9



Originally from <https://github.com/mishimasensei/macse30mlb/>
 Simplified by James Wood - j-w.au
 Sheet: /Video Interface/
 File: Video Interface.kicad_sch
Title: ROM & RAM Address Muxes
 Size: A3 Date: 2023-09-01 Rev: 6
 KiCad E.D.A. kicad 7.0.5-0 Id: 5/9



Originally from <https://github.com/mishimasensei/macse30mlb/>
Simplified by James Wood - j-w.au
 Sheet: /SWIM & SCSI Interface/
 File: SWIM+SCSI Interface.kicad_sch
Title: ROM & RAM Address Muxes
 Size: A3 Date: 2023-09-01 Rev: 6
 KiCad E.D.A. kicad 7.0.5-0 Id: 6/9



Originally from <https://github.com/mishimasensei/macse30mlb/>
 Simplified by James Wood - j-w.au
 Sheet: /Serial Interface & Sound Interface/
 File: Serial Interface + Sound Interface.kicad_sch
Title: ROM & RAM Address Muxes
 Size: A3 Date: 2023-09-01 Rev: 6
 KiCad E.D.A. kicad 7.0.5-0 Id: 7/9

